
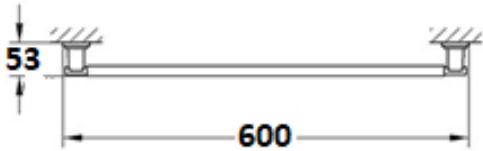


ITEM CODE	TESSE-SQR-5500-TB	WARRANTY	5 YEARS
PRODUCT	TOWEL BAR		

PRODUCT IMAGE	TECHNICAL DIMENSIONS
	

PRODUCT DETAILS	
MANUFACTURER	TESSE
TYPE	TOWEL BAR
COLOUR	CHROME
MATERIAL	BRASS
TECHNICAL DETAILS & FEATURES	DOUBLE- LAYER CHROME FINISH ZINC ALLOY BASE , WALL FASTENING, SQUARE SHAPE FLANGE TOWEL BAR 304 SS, DIA:15.5MM PROJECTION HEIGHT: 53MM CORROSION & RUST RESISTANT

ITEM DIMENSION			
HEIGHT (mm)	WIDTH (mm)	LENGTH (mm)	WEIGHT (KG)
	53	600	650 GM

- All rights reserved by Tesse.
- Specifications details are only overall guideline. This may vary slightly +/- 10% from the real product.