
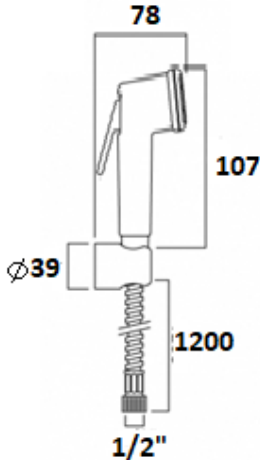
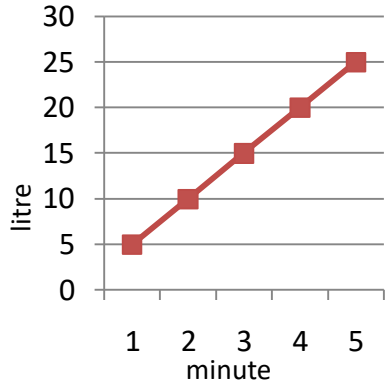


| | | | |
|-----------|-----------------------|----------|---------|
| ITEM CODE | TESSE-SHF-411CR | WARRANTY | 5 YEARS |
| PRODUCT | SHATTAF / BIDET SPRAY | | |

| PRODUCT IMAGE | TECHNICAL DIMENSIONS | FLOW RATE GRAPH | | | | | | | | | | | | |
|---|---|---|--------|-------|---|---|---|----|---|----|---|----|---|----|
|  |  | <p>Minute v/s Litre graph</p>  <table border="1"> <caption>Minute v/s Litre graph data</caption> <thead> <tr> <th>Minute</th> <th>Litre</th> </tr> </thead> <tbody> <tr><td>1</td><td>5</td></tr> <tr><td>2</td><td>10</td></tr> <tr><td>3</td><td>15</td></tr> <tr><td>4</td><td>20</td></tr> <tr><td>5</td><td>25</td></tr> </tbody> </table> | Minute | Litre | 1 | 5 | 2 | 10 | 3 | 15 | 4 | 20 | 5 | 25 |
| Minute | Litre | | | | | | | | | | | | | |
| 1 | 5 | | | | | | | | | | | | | |
| 2 | 10 | | | | | | | | | | | | | |
| 3 | 15 | | | | | | | | | | | | | |
| 4 | 20 | | | | | | | | | | | | | |
| 5 | 25 | | | | | | | | | | | | | |

| PRODUCT DETAILS | |
|-------------------|---|
| MANUFACTURER | TESSE |
| TYPE | BIDET SPRAY / SHATTAF |
| COLOUR | CHROME |
| MATERIAL | ABS |
| TECHNICAL DETAILS | <ul style="list-style-type: none"> *ABS SHATTAF *BRASS VALVE *1.2M S.S CHROME HOSE * CHROME ZINK NUT *PVC PIPE INSIDE *ABS SHATTAF HOLDER <p>WATER FLOW RATE: 5-6 L/MIN</p> |

| ITEM DIMENSION | | | |
|----------------|------------|-------------|-------------|
| HEIGHT (mm) | WIDTH (mm) | LENGTH (mm) | WEIGHT (KG) |
| 107 | 78 | | 500 GM |

All rights reserved by TESSE.

Specifications details are only overall guideline. This may vary slightly +/- 10% from the real product.