
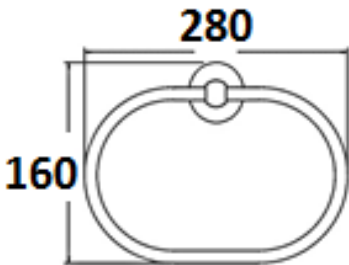


ITEM CODE	TESSE-RND-4400-TR2	WARRANTY	5 YEARS
PRODUCT	TOWEL RING		

PRODUCT IMAGE	TECHNICAL DIMENSIONS
	

PRODUCT DETAILS	
MANUFACTURER	TESSE
TYPE	TOWEL RING
COLOUR	CHROME
MATERIAL	BRASS
TECHNICAL DETAILS & FEATURES	DOUBLE-LAYER CHROME FINISH ZINC ALLOY, 304 SS ROUND RING HEAVY DUTY WALL FASTENING FLANGE SHAPE: ROUND CLOSED ROUNDED RECTANGULAR RING TYPE CORROSION AND RUST RESISTANT FINISH PROJECTION: 73 MM

ITEM DIMENSION			
HEIGHT (mm)	WIDTH (mm)	LENGTH (mm)	WEIGHT (KG)
160	73	280	0.589

- All rights reserved by Tesse.
- Specifications details are only overall guideline. This may vary slightly +/- 10% from the real product.