
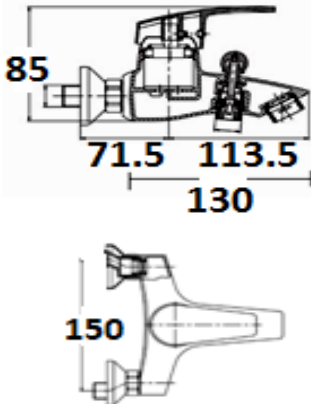
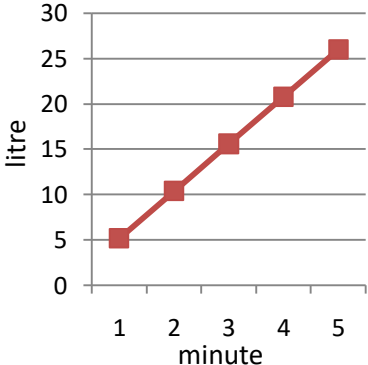


ITEM CODE	TESSE-MIX-5101	WARRANTY	10 YEARS
PRODUCT	BATH AND SHOWER MIXER		

PRODUCT IMAGE	TECHNICAL DIMENSIONS	FLOW RATE GRAPH												
		<p>Minute v/s Litre graph</p>  <table border="1"> <caption>Flow Rate Graph Data</caption> <thead> <tr> <th>Minute</th> <th>Litre</th> </tr> </thead> <tbody> <tr><td>1</td><td>5</td></tr> <tr><td>2</td><td>10</td></tr> <tr><td>3</td><td>15</td></tr> <tr><td>4</td><td>20</td></tr> <tr><td>5</td><td>25</td></tr> </tbody> </table>	Minute	Litre	1	5	2	10	3	15	4	20	5	25
Minute	Litre													
1	5													
2	10													
3	15													
4	20													
5	25													

PRODUCT DETAILS	
MANUFACTURER	TESSE
SERIES	ECO SERIES
TYPE	BATH AND SHOWER MIXER
COLOUR	CHROME
MATERIAL	BRASS
TECHNICAL DETAILS	<p>FULL BRASS BATH AND SHOWER MIXER, WALL FASTENING, 3 SPEED FUNCTION, BRASS BODY, ZINC HANDLE, 6 um GOOD CHROME, 35 MM CITEC CARTRIDGE, BRASS S UNIONS, WATER FLOW RATE: 5.2L/MIN ABS SHOWER HEAD 10 CM DIA AND 22 CM HEIGHT WITH 1.5 M SS SHOWER HOSE SHOWER CONNECTION: ½"</p>

ITEM DIMENSION			
HEIGHT (mm)	WIDTH (mm)	LENGTH (mm)	WEIGHT (KG)
85	130		1.7KG

All rights reserved by Tesse.

Specifications details are only overall guideline. This may vary slightly +/- 10% from the real product.